

Megaplex-4

Next-Generation Multiservice
Access Node



RAD's Megaplex-4 is a high-performance, high-capacity multiservice access concentrator for delivering legacy and next-generation services over TDM and packet switched transport networks (PSN). It is an ideal solution for legacy equipment replacement.

The Megaplex-4 is enhanced with RAD's software-based appliance modules, enabling the integration of software functions and applications, such as routing, firewall, encryption, SCADA, and more.

Part of
RAD's Service Assured
Networking Solutions

Part of
RAD's Service Assured
Access Solutions



Your Network's Edge®

Megaplex-4

Next-Generation Multiservice Access Node

Key Takeaways:

- Seamless migration to next-generation communication networks – hybrid Ethernet/TDM architecture in a single device reduces costs and simplifies operations
- The most comprehensive multiservice support in the market maximizes flexibility for a large variety of service provider, utility, transportation, and government applications
- Carrier-grade IP/MPLS and Ethernet ensures service quality and lowers OpEx with SLA validation and performance monitoring
- Maximum service uptime and resiliency for mission-critical applications with multiple redundancy protocols, ruggedized hardware
- Multiservice module based on x86 technology and Linux OS – the easiest way to introduce new services and applications on existing platforms
- Field-proven solution, deployed worldwide

Use Megaplex for:



| **Business Services**

- TDM Migration for Business Service Providers



| **Utilities**

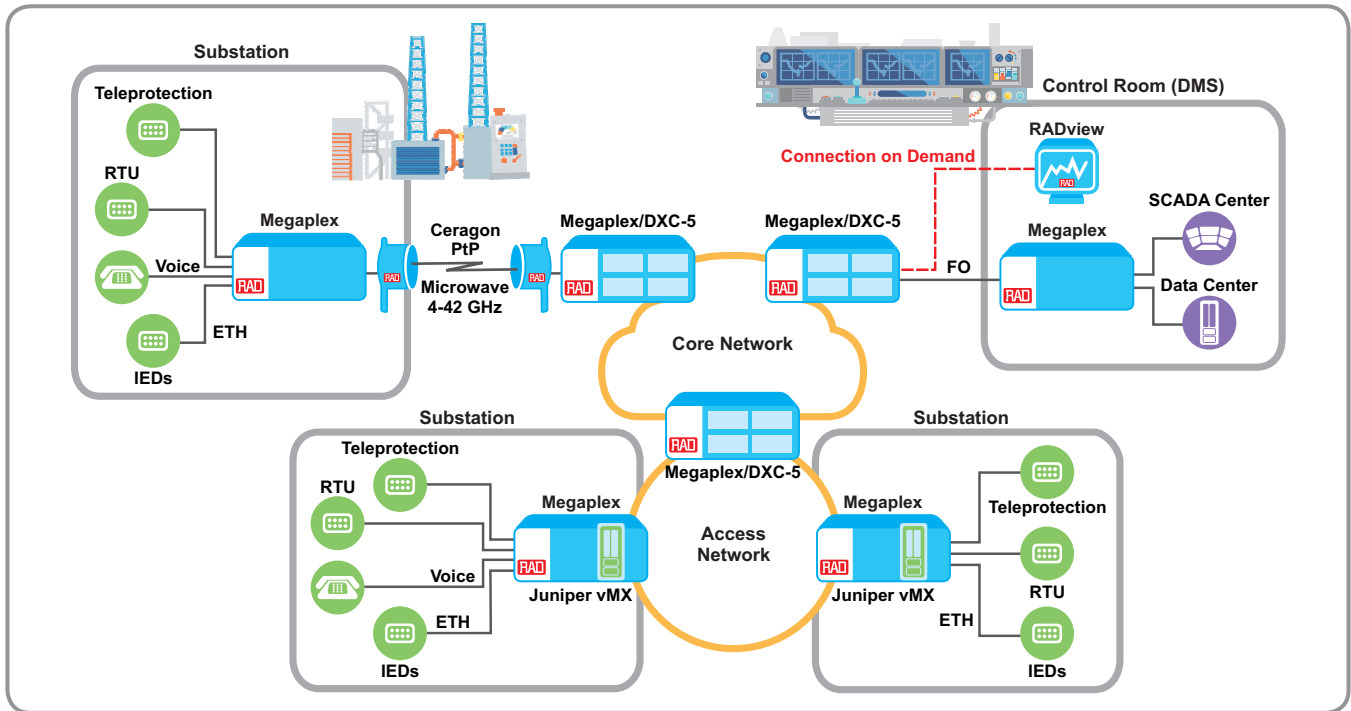
- Multiservice Operational WAN for Power Utility Communications
- Packet Operational WAN for Power Utility Communications
- Distance and Differential Protection Communications for Power Utilities
- Oil and Gas Utility Communications
- Water Utility Communications



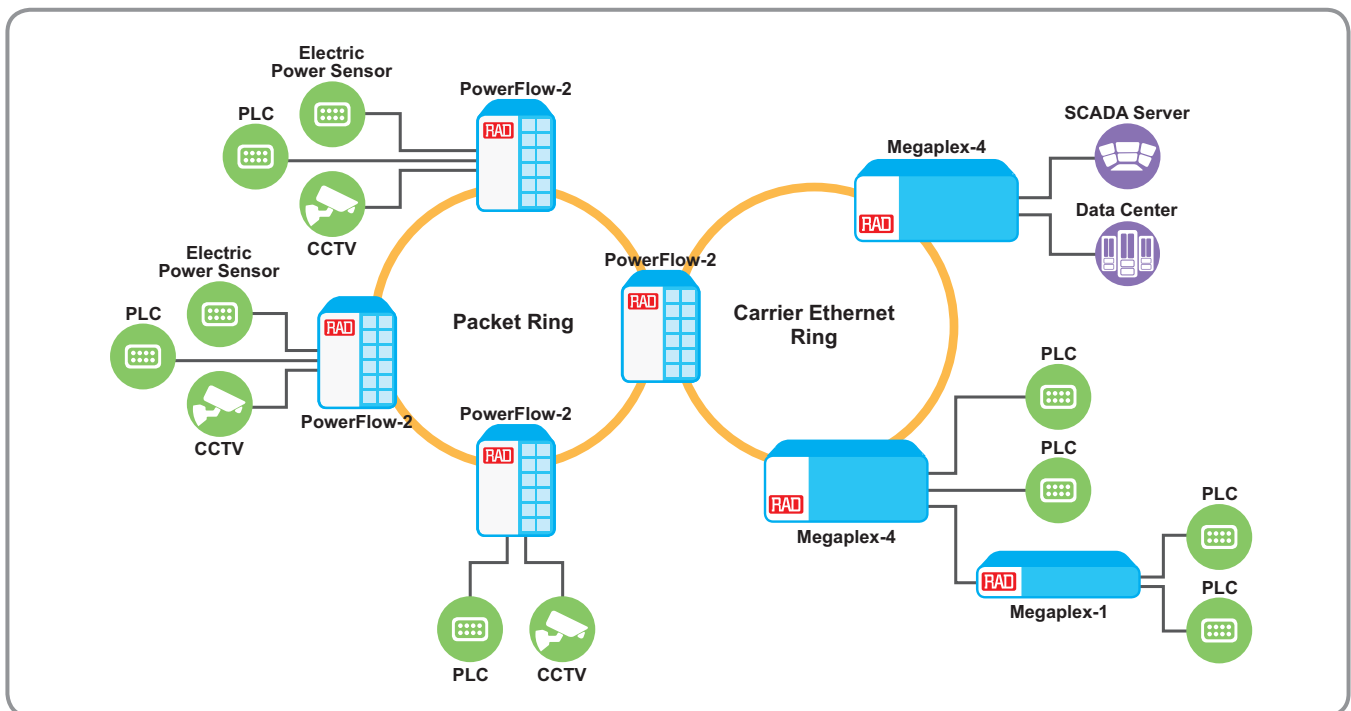
| **Transportation**

- Operational WAN for Trains and Metros
- Multiservice Operational WAN for Air-Traffic Control

Multiservice Operational WAN



Packet Operational WAN



Quick Specs:

- Hybrid Ethernet and TDM architecture maps any traffic to any network – SDH/SONET or PSN
- Full-scale pseudowire standard support to deliver TDM traffic over packet
- MEF Carrier Ethernet 2.0-certified with traffic management, performance monitoring and Ethernet OAM
- Integrated MPLS switch and IP router
- Ethernet security features including 802.1X and MACsec, IPsec
- Carrier-class reliability with hardware, service and system redundancy, IEEE 1613 fanless operation
- Multiservice support with TDM, PSTN, data, Ethernet, and dedicated Teleprotection interfaces
- Pluggable x86 server modules for hosting virtualized functions and applications
- Easy-to-use RADview management tool

Megaplex-4 Multiservice Modules

The Megaplex-4 offers x86-based modules hosting multiple networking and security functions. This helps reduce the number of physical network devices for better reliability and simpler operation. The Megaplex-4 supports tailor-made as well as third-party applications, which can be tested and certified by RAD, offering a future-ready and flexible solution to meet new application needs.

Multiservice Modules:

IP/MPLS Edge Router

Based on Juniper's successful virtualized MX router series (vMX)

SecurityGateway

L3 VPN router with a stateful firewall and an extensive networking feature set

CES Processor

Multi-function engine for processing voice compression, serial communications and sub-TS (DS0) cross-connect

Ubuntu

Virtualization capabilities enabling the users to install various applications directly over Ubuntu distribution

