

ETX-2v

Open vCPE White Box Platform



The ETX-2v portfolio addresses all vCPE deployment needs. It is installed at the customer premises (either at headquarters or in remote branch sites) to support a wide range of business customers and user scenarios, from small offices to large sites, using a variety of bandwidth and processing power options. It also features flexible operation of virtualized network functions (VNFs), from offices running several VNFs locally or integrating all the virtual functions at the data center. In addition to the superior networking mechanisms, ETX-2v features a variety of pluggable modules for all access media, while a RAD-developed operating system, vCPE-OS, optimizes data plane efficiency and integration to third-party orchestrators and SDN controllers.



Virtualization
by RAD

Part of
RAD's Service Assured
Access Solutions



Your Network's Edge®

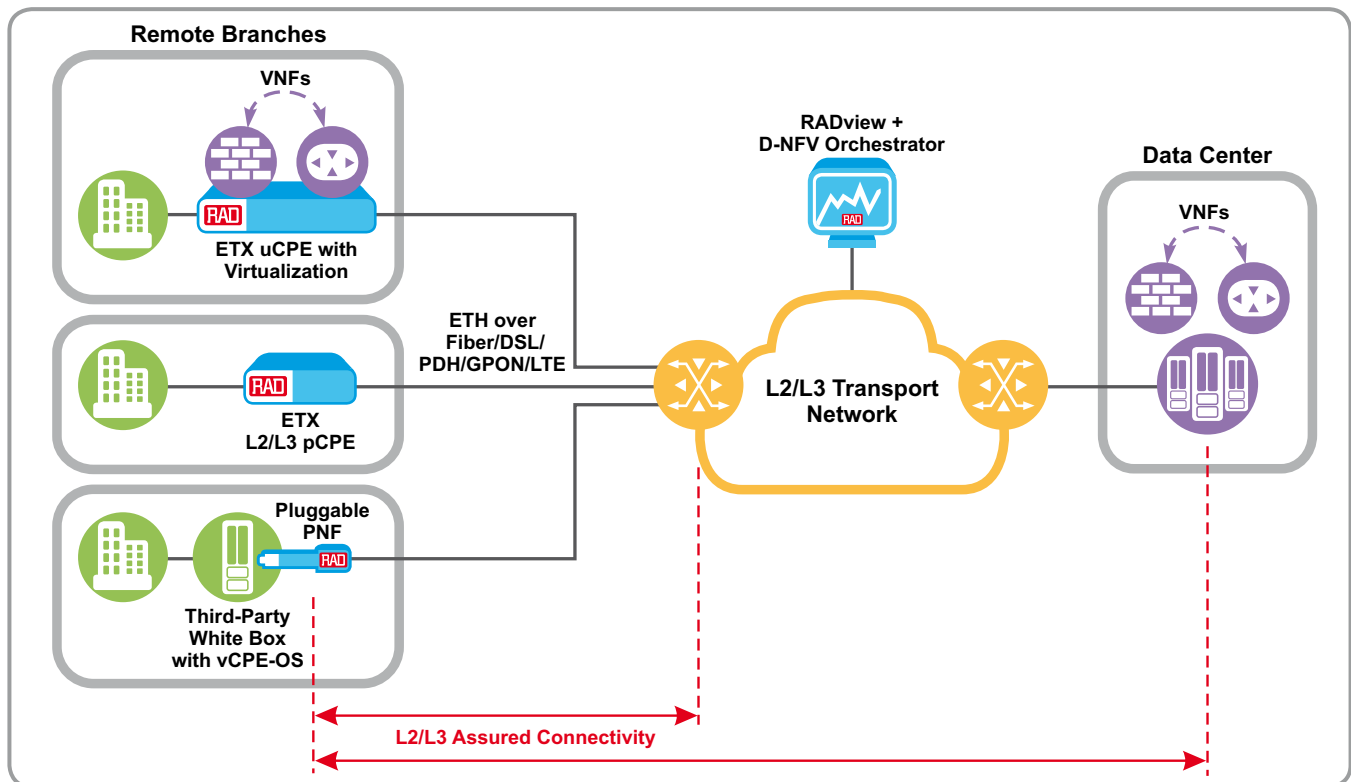
ETX-2v

Open vCPE White Box Platform

Key Takeaways:

- Wide selection of white box pure compute platforms to fit all needs and sizes
- Single hardware platform hosts a variety of applications, optimizing inventory
- Powerful x86 open architecture hosts RAD's vCPE-OS or third-party operating systems with VNFs (firewall, router, encryption, and more)
- Supported infrastructure includes Ethernet, WiFi, LTE, DSL, GPON, and TDM

vCPE for Business Services



Quick Specs:

- Hardware-based security featuring a Trusted Platform Module (TPM)
- Flexible SFP/UTP connectivity with optional interfaces including: LTE, WiFi, VDSL, GPON, EThoPDH, PWE, and more
- Supports a range of x86 CPU technologies (Rangeley, Denverton and XEON-D), with flexible multi-core options
- Various memory size (RAM, SSD) options
- Intel QuickAssist technology – authentication, encryption, etc.
- SRIOV-capable ports to enhance throughput
- Fanless, low power (~ 7W) options reduce carbon footprint
- Rack-mount and desktop options



ETX-2v vCPE Applications

The ETX-2v features an x86-based D-NFV platform for hosting virtual functions (VFs) and applications. The D-NFV platform runs vCPE-OS or third-party operating systems, which includes standard KVM hypervisor and OpenStack compute node to support third-party applications. RADview D-NFV Orchestrator enables easy VF download. Supported applications include:

SD-WAN

Software-defined control of WAN connections with secure overlay tunnels for business services

Router

Virtual router for hosted public clouds and branch CPE deployments

Cryptography

Standard AES 256-bit cipher encryption/decryption of L2-L4 traffic





Firewall

Unified threat management for provider-managed SMB services

PMC

Central generation of always-on performance monitoring over Layer 3 networks

Session Border Controller (SBC)

Manages VoIP signaling and media flows

Packet Analyzer

Troubleshooting-on-demand from the customer edge using a packet sniffer VF

WAN Optimization

Eliminates content duplication, handles compression and optimizes latency

Contact your local RAD distributor for additional/new application information



www.rad.com

Specifications are subject to change without prior notification. The RAD name, logo and logotype are registered trademarks of RAD Data Communications Ltd. RAD product names are trademarks of RAD Data Communications Ltd. ©2019 RAD Data Communications. All rights reserved. Catalog number 802665 Version 1/19