



Aviat
NETWORKS



CTR 8740

TRANSPORT ROUTER

[DATASHEET \[ETS\]](#)

The CTR 8740 is a next generation Converged Transport Router that supports Carrier Ethernet, IP/MPLS and Segment Routing, as well as High Availability and Strong Security features. CTR 8740 enables affordable networking for microwave, millimeter-wave and fiber applications. It is compact and easy to use, 5G-ready, and supports native NETCONF/YANG management for SDN automation.

Resilient and Secure

State-of-the-art design delivers lower Total Cost of Ownership than alternative solutions, and integrated microwave awareness further lower CAPEX and OPEX by removing the need for a separate microwave indoor unit.

CTR 8740 delivers robust high availability support for protection against hardware failures, IP/MPLS segment routing for faster network convergence and increased scalability; and strong-security capabilities, such as TACACS+, local user account management and management Access Control List.

Simplifying Transport Networks

CTR 8740 is designed to simplify transport networks. With its versatile IP/MPLS feature set, CTR 8740 enables a single low-cost solution for both fiber and microwave transport sites to reduce the number of devices that need to be installed.

CTR 8740 provides microwave-aware aggregation and routing for any radio architecture deployment, including all-indoor, split-mount, and trunking. A high-capacity switching fabric allows deployment in access, pre-aggregation or aggregation applications, in a variety of topologies. Fewer parts enables simplified ordering, management and maintenance.

Advanced Layer 2 CE, Layer 3 IP/MPLS and Segment Routing support addresses evolving backhaul needs for mobile, mission critical, WISP and enterprise networks.

Patented Aviat 10 Gbit/s Layer-1 Link Aggregation (L1LA) delivers robust multi-channel links from 2+0 to 16+0, with maximum throughput efficiency and seamless protection for critical traffic.

Optional High Availability (HA) support ensures robust protection against hardware failure and no single point-of-failure, with graceful restart, non-stop forwarding.

Hardware Platform

Base Hardware Chassis	
1 RU height chassis includes:	-48 VDC power supply - dual input
	Local management & console ports (RJ-45 & USB-C)
	2x USB-3 port (USB-C) including support for WiFi
	Ethernet user interface (details below)
	10 GE stacking protection
	Replaceable fan module with built-in 4x fan redundancy
	Redundant power supply module
User Interfaces	
4x 1000 Base-T (RJ-45)	
8x 1000 Base-X (SFP) unpopulated ports	Single-mode-LX (1013 nm), -ZX (1550 nm) optical
	Multi-mode - SX (850 nm) optical
3x 1000 / 2500 / 10000 Base-X (SFP+) unpopulated ports	1000 Base-T (RJ-45)
	SDH/SONET (1310 nm) optical TSOP options

Radio & Networking

Radio Networking	
All-outdoor radios	Aviat WTM 4000 & STR 4500 series
Fixed & adaptive coding modulation	QPSK to 4096 QAM
Layer-1 Link Aggregation (L1LA)	WTM 4000, STR 4500: 1x 8+0 or 2x 4+0/ 4x 2+0
N+0 Space Diversity Trunking	STR 4500
Co-Channel operation with XPIC	WTM 4000
Adaptive Dual Channel (A2C+)	WTM 4100
4x4 LOS MIMO	WTM 4200
Synchronization	
Internal Stratum-3 clock as standard or optional high accuracy Stratum-2 ^[1]	
Synchronous Ethernet ^[1]	ITU-T G.8262
ESMC / SSM	ITU-T G.8264
Precision Time Protocol – TC & BC ^[1]	IEEE 1588v2

CTR 8740

TRANSPORT ROUTER

DATASHEET [ETS1]



Carrier Ethernet / L2 Services	
Non-blocking switch	68 Gbit/s
QoS	8 COS Scheduling, policing Storm control, shaping
QoS mapping	PCP (802.1p), DSCP, H-QoS ^[1]
VLANs	IEEE 802.1Q IEEE 802.1ad (Q-in-Q)
Spanning tree protocols	STP, RSTP, MSTP
L2 link aggregation	802.1AX
Ethernet ring protection	ITU-T G.8032v2
Ethernet OAM	IEEE 802.1ag, ITU-T Y.1731
Congestion avoidance	RED
Jumbo frames	to 10 KB
IP / MPLS Services	
IP Addressing	IPv4 & IPv6
Routing type	Unicast routing with IP static and dynamic routing Equal Cost Multipath IP Routing and MPLS load sharing Segment Routing (OSPF) with Fast Re-route (Local/Remote LFA, ECMP) ^[2] IPv6 for management (OSPFv3 ^[1])
Gateway Protocols	IS-IS, OSPF (interior) BGP with Route Reflector, iBGP, eBGP (exterior)
Signaling	Label Distribution Protocol (LDP) and T-LDP LSP protection with BFD Micro-BFD over LAG
Services supported	Layer 2 VPN services over LDP signaled tunnels (VPLS and VPWS) Layer 3 VPN services are supported using BGP
Diagnostics	VRF & LSP Ping and Traceroute
Traffic Engineering	Supports RSVP-TE extensions ^[1]
Element & Network Management	
Local configuration	via CLI or Web GUI
Aviat ProVision+ EMS	
NETCONF / YANG	
SNMP v2c / v3 ^[1] MIB support (read only)	
HTTPS, SSH & TACACS + client	
SNTPv4, embedded real time clock	

CTR 8740

TRANSPORT ROUTER

DATASHEET [ETSI]



Operating Environment & Power

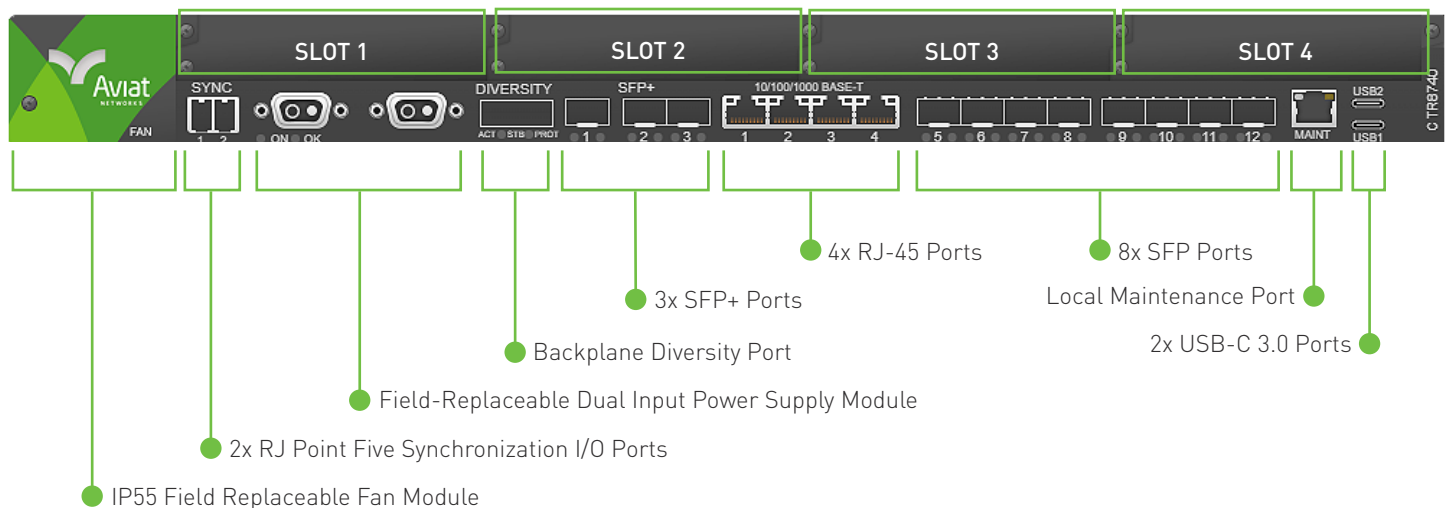
Operating temperature	-5° to 55° C [23° to 131° F]
Humidity	5 to 93%
Altitude	4,500 m [15,000 ft]
Base chassis input voltage range	-40 VDC to -57 VDC
Power consumption	45 W to 70 W

Mechanical

Chassis	1 RU	44 mm x 445 mm x 240 mm [1.7 in x 19 in x 9.4 in]
Plug-in module		18.27 mm x 104.3 mm x 230 mm [0.72 in x 4.1 in x 9.0 in]
Chassis weight		4.5 kg [9.9 lb]

Standards Compliance

EMC	EN 301 489-1, EN 301 489-4, EN 55032 Class A, EN 300 386
Operation	EN 300 019, Class 3.2
Safety	IEC/EN 60950-1, IEC/EN 62368-1



Notes:

- [1] To be confirmed in a later release.
- [2] Available with part number CTE-740-002.

Disclaimer

This material is for informational purposes only and does not constitute a legal obligation to deliver any product, feature or functionality and should not be relied upon in making purchasing decisions. All specifications are guaranteed values, at room temperature (68° to 86° F, 20° to 30° C) unless otherwise stated, and are subject to change without notice. The development, release and timing of any features or functionality described for our products is at Aviat Networks' sole discretion.

For details of availability, please contact your Aviat Networks Sales Representative.